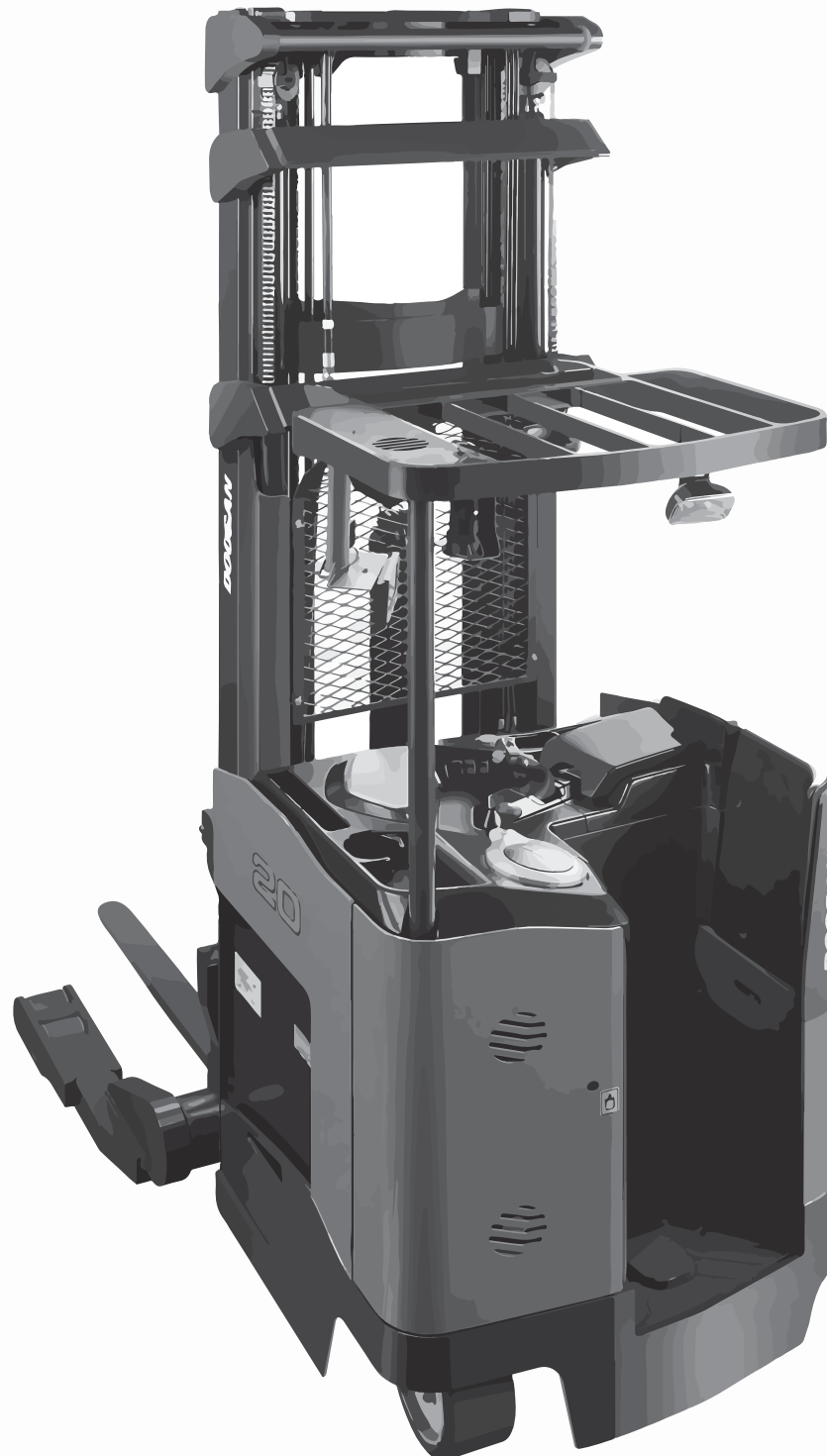


Electric Pantograph Reach Truck

3,500lbs - 4,000lbs Capacity

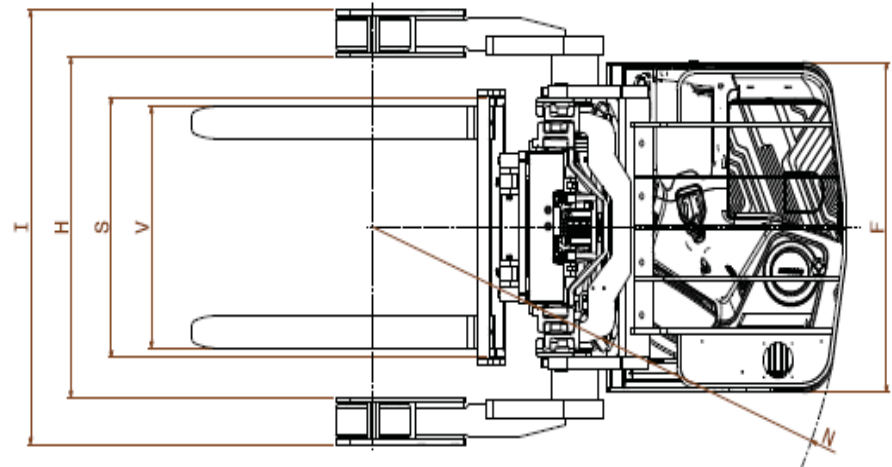
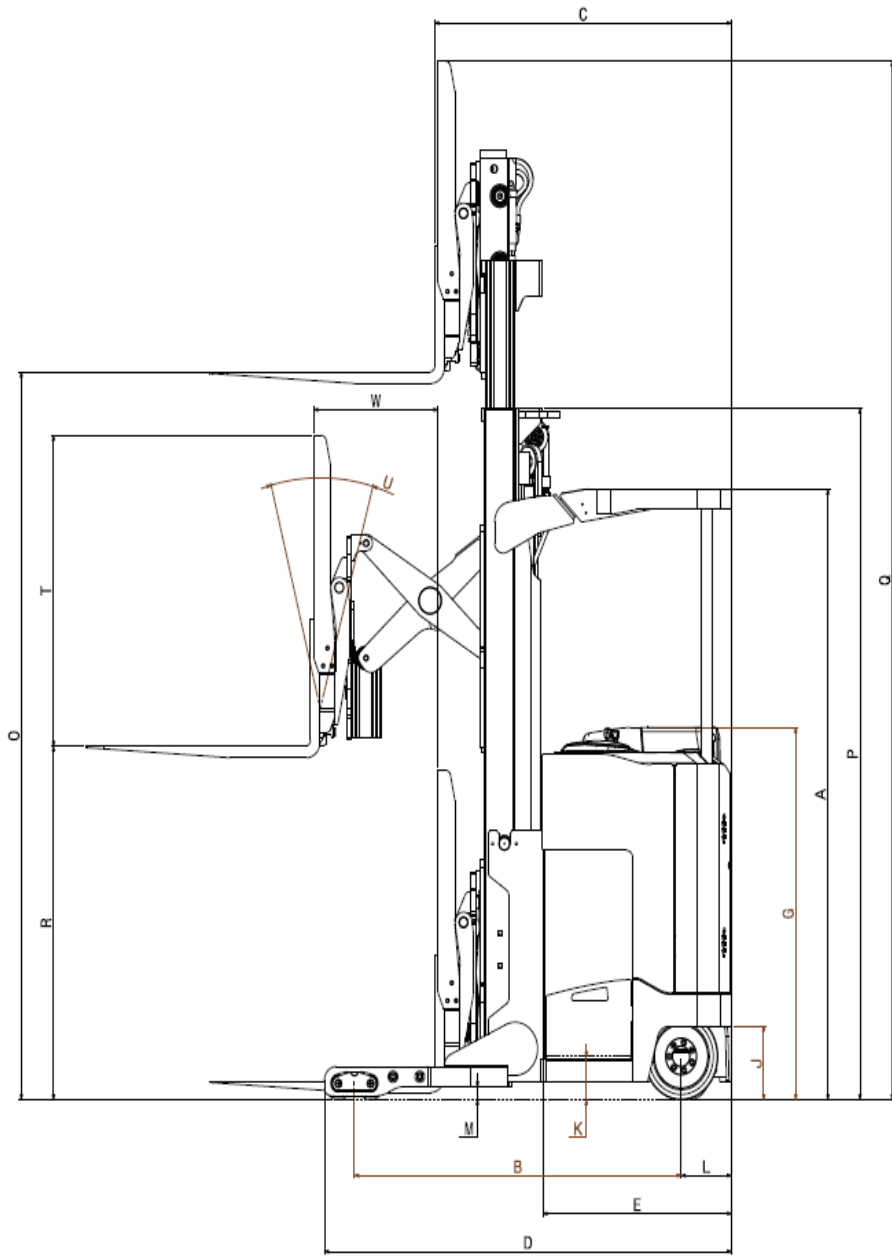
BR18/20SP-7



BRSP-7 SPEC SHEET

REV : 2014.08.05

	Manufacturer		DOOSAN				
	Model		BR18SP-7		BR20SP-7		
General	Capa.		<i>lb(kg)</i>	3500 (1600)	3500 (1600)	4000 (1800)	4000 (1800)
	Battery Compartment		<i>in</i>	14.4	16.4	16.4	20.9
	Load Center		<i>in(mm)</i>	24 (600)			
	System Voltage		<i>V</i>	36			
	Operator Type			Rider Reach			
	Tire Type-Load/Caster/Drive			Poly / Poly / Poly (Vulkollan)			
Wheel, load/Caster (Drive x)			4 / 2 (1x)				
Weight	Total Weight (34" Leg, FFT 240", /w LBR,Fork)			7255 (3291)	7592 (3444)	7592 (3444)	8283 (3757)
	Weight /wo batt at 240" MFH Mast (34" Leg)		<i>lb(kg)</i>	5655 (2565)	5692 (2582)	5692 (2582)	5783 (2623)
	With load,Front (With Min Batt at 240" Mast Reach in)		<i>lb(kg)</i>	6336 (2874)	6891 (3126)	6891 (3126)	7542 (3421)
	With load,Rear (With Min Batt at 240" Mast Reach in)		<i>lb(kg)</i>	4447 (2017)	4229 (1918)	4229 (1918)	4268 (1936)
	W/O load,Front (With Min Batt at 240" Mast Reach in)		<i>lb(kg)</i>	2610 (1184)	2812 (1275)	2812 (1275)	3151 (1429)
	W/O load,Rear (With Min Batt at 240" Mast Reach in)		<i>lb(kg)</i>	4645 (2107)	4781 (2169)	4781 (2169)	5132 (2328)
	14.4" Battery Min		<i>lb(kg)</i>	1600 (730)			
	16.4" Battery Min		<i>lb(kg)</i>	1900 (860)			
	18.4" Battery Min		<i>lb(kg)</i>	-			
20.9" Battery Min		<i>lb(kg)</i>	2500 (1130)				
Dimension - Chassis	Guard Height (From Ground)	A	<i>in(mm)</i>	95 (2410) (*91" at 198" mast)			
	Wheel base	B	<i>in(mm)</i>	58 (1475)	60 (1525)	60 (1525)	64.5 (1640)
	Head Length (Length to Fork face + Side Shift)	C	<i>in(mm)</i>	52.5 (1335)	54.5 (1385)	54.5 (1385)	59 (1500)
	Truck Length	D	<i>in(mm)</i>	72.8 (1850)	74.8 (1900)	74.8 (1900)	79.3 (2015)
	Power Unit Length	E	<i>in(mm)</i>	32.7(830)	34.7(880)	34.7(880)	39.2 (995)
	Power Unit Width	F	<i>in(mm)</i>	40.5 (1030)			
	Power Unit Height	G	<i>in(mm)</i>	57.8 (1468)			
	Base Leg Opening (inside)	H	<i>in</i>	34, 36, 38, 40, 42, 44			
	Base Leg Width (Outside)	I	<i>in</i>	Inside plus 11.4"			
	Base Leg Width		<i>in(mm)</i>	5.7 (146)			
	Step Height	J	<i>in(mm)</i>	11.4 (290)			
	Battery Rolloer Height	K	<i>in(mm)</i>	6.7 (170)			
	Drive CL to End of CTWT	L	<i>in(mm)</i>	9.25 (235)			
	Underclearance (Center of Wheelbase)	M	<i>in(mm)</i>	2 (50)			
	Outside turning radius	N	<i>in(mm)</i>	67.4 (1713)	69.4 (1763)	69.4 (1763)	73.9 (1878)
	Right Angle Stack Aisle (48x40 in pallet) Add 2" for sideshift		<i>in(mm)</i>	See the RASA sheet			
	Operator compartment			-			
	Height		<i>in(mm)</i>	81.3 (2065)			
	Length		<i>in(mm)</i>	17.7 (450)			
	Width		<i>in(mm)</i>	17.9 (454)			
Track (Tread) / Rear		<i>in(mm)</i>	28.5 (725)				
Dimension - Front End	Maximum Fork Height	O	<i>in(mm)</i>	See the mast chart			
	Mast Lowered Height	P	<i>in(mm)</i>	See the mast chart			
	Mast Extended Height (With STD. LBR)	Q	<i>in(mm)</i>	See the mast chart			
	Free Lift (With STD. LBR)	R	<i>in(mm)</i>	See the mast chart			
	Carriage Width	S	<i>in(mm)</i>	See the mast chart			
	LBR Height	T	<i>in(mm)</i>	See the mast chart			
	Tilt angle F/B	U	<i>deg</i>	3 / 4			
	Fork Size (T x W x L)		<i>in</i>	See the mast chart			
Fork Adjustment (Min / Max)	V	<i>in(mm)</i>	9 (240) / 29.5 (750)				
Reach Stroke	W	<i>in(mm)</i>	22.8 (580)				
Battery Compartment	Battery Size A (14.4)		<i>in(mm)</i>	14.4 (366) x 38.75 (985) x 32 (810)			
	Battery Size B (16.4)		<i>in(mm)</i>	16.4 (416) x 38.75 (985) x 32 (810)			
	Battery Size C (18.4)		<i>in(mm)</i>	-			
	Battery Size D (20.9)		<i>in(mm)</i>	20.9 (531) x 38.75 (985) x 32 (810)			
Ref. Battery Size	Battery Size A (14.4)		<i>in(mm)</i>	13.37 (340) x 38.33 (974) x 30.56 (776)			
	Battery Size B (16.4)		<i>in(mm)</i>	15.62 (397) x 38.33 (974) x 30.56 (776)			
	Battery Size C (18.4)		<i>in(mm)</i>	-			
	Battery Size D (20.9)		<i>in(mm)</i>	20.21 (513) x 38.33 (974) x 30.56 (776)			
Tire Size	Tire Size - Drive (dia. x width)		<i>in(mm)</i>	13.5 x 5.5 (344 x 140)			
	Tire Size - Caster (dia. x width)		<i>in(mm)</i>	7 x 2.44 (175 x 62)			
	Tire Size - Load Wheels (dia. x width)		<i>in(mm)</i>	5 x 4 (125 x 100)			
Performance	Travel Speed Tractor First (Empty/Rated Load)		<i>mph (km)</i>	7.5 (12)			
	Travel Speed forks First (Empty/Rated Load)		<i>mph (km)</i>	7.5 (12)			
	Lift Speed Loaded		<i>fpm (mm/s)</i>	69 (350)			65 (330)
	Lift Speed Empty		<i>fpm (mm/s)</i>	120 (600)			
	Lower Speed Loaded		<i>fpm (mm/s)</i>	110 (550)			
	Lower Speed Empty		<i>fpm (mm/s)</i>	110 (550)			
	Reach Speed (in/out), Empty		<i>sec</i>	Adjustable			
	Gradeability - Loaded - Maximum		<i>%</i>	10			
Gradeability - Empty - Maximum		<i>%</i>	10				



BRSP-7 SPEC SHEET

REV : 2014.04.10

Mast Chart BRSP-7

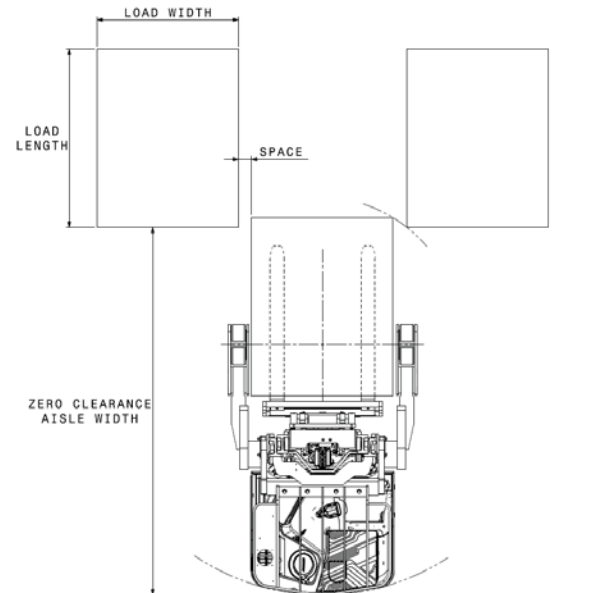
BR18SP-7									
Mst Type	Max. Fork Height	Overall Height			Free Lift /W STD. LBR	Fork Tx W x L (STD)	Carriage Width (STD)	Tilt Range	
		Lowered	STD. LBR	Extend /W STD. LBR				FWD	BWD
		<i>in(mm)</i>	<i>in(mm)</i>	<i>in(mm)</i>	<i>in(mm)</i>	<i>in(mm)</i>	<i>in</i>	<i>in(mm)</i>	deg.
FFT	198 (5030)	90.8 (2305)	48 (1220)	246.9 (6270)	43.3 (1100)	1.75 x 4 x 42 (45 x 100 x 1050)	32 (813)	3	4
	210 (5330)	94.7 (2405)	48 (1220)	258.7 (6570)	47.2 (1200)	1.75 x 4 x 42 (45 x 100 x 1050)	32 (813)	3	4
	240 (6100)	105.9 (2690)	48 (1220)	288.8 (7335)	58.4 (1485)	1.75 x 4 x 42 (45 x 100 x 1050)	32 (813)	3	4
	258 (6550)	111.9 (2840)	48 (1220)	306.5 (7785)	64.3 (1635)	1.75 x 4 x 42 (45 x 100 x 1050)	32 (813)	3	4
	270 (6890)	116.4 (2955)	48 (1220)	319.9 (8125)	68.9 (1750)	1.75 x 4 x 42 (45 x 100 x 1050)	32 (813)	3	4
	289 (7340)	125.2 (3180)	48 (1220)	337.8 (8580)	77.7 (1975)	1.75 x 4 x 42 (45 x 100 x 1050)	32 (813)	3	4

BR20SP-7									
Mst Type	Max. Fork Height	Overall Height			Free Lift /W STD. LBR	Fork Tx W x L (STD)	Carriage Width (STD)	Tilt Range	
		Lowered	STD. LBR	Extend /W STD. LBR				FWD	BWD
		<i>in(mm)</i>	<i>in(mm)</i>	<i>in(mm)</i>	<i>in(mm)</i>	<i>in(mm)</i>	<i>in</i>	<i>in(mm)</i>	deg.
FFT	198 (5030)	90.8 (2305)	48 (1220)	246.9 (6270)	43.3 (1100)	1.75 x 4 x 42 (45 x 100 x 1050)	32 (813)	3	4
	210 (5330)	94.7 (2405)	48 (1220)	258.7 (6570)	47.2 (1200)	1.75 x 4 x 42 (45 x 100 x 1050)	32 (813)	3	4
	240 (6100)	105.9 (2690)	48 (1220)	288.8 (7335)	58.4 (1485)	1.75 x 4 x 42 (45 x 100 x 1050)	32 (813)	3	4
	258 (6550)	111.9 (2840)	48 (1220)	306.5 (7785)	64.3 (1635)	1.75 x 4 x 42 (45 x 100 x 1050)	32 (813)	3	4
	270 (6890)	116.4 (2955)	48 (1220)	319.9 (8125)	68.9 (1750)	1.75 x 4 x 42 (45 x 100 x 1050)	32 (813)	3	4
	289 (7340)	125.2 (3180)	48 (1220)	337.8 (8580)	77.7 (1975)	1.75 x 4 x 42 (45 x 100 x 1050)	32 (813)	3	4
	300 (7610)	128.8 (3270)	48 (1220)	348.5 (8850)	81.3 (2065)	1.75 x 4 x 42 (45 x 100 x 1050)	32 (813)	3	4
	318 (8075)	138.0 (3505)	48 (1220)	367.0 (9320)	90.5 (2300)	1.75 x 4 x 42 (45 x 100 x 1050)	32 (813)	3	4

Truck with 16.4" battery & 42" ID & 4" space					
Pallet length	Pallet width				
	in (mm)	36 (914)	40 (1016)	44 (1118)	48 (1219)
	36 (914)	86.5 (2198)	86.1 (2187)	85.6 (2174)	85.1 (2162)
	40 (1016)	91.3 (2319)	90.9 (2310)	90.6 (2301)	90.2 (2291)
	44 (1118)	95.8 (2434)	95.5 (2426)	95.2 (2419)	94.9 (2411)
	48 (1219)	100.2 (2545)	99.9 (2538)	99.7 (2532)	99.4 (2525)

NOTE :

- Aisle width values shown are based on a 16.4 in. battery compartment and a 42 in. base leg opening (inside)
- Subtract 2 in. (50mm) for 14.4 in. battery compartment.
- Add 4.5 in. (115mm) for 20.9 in. battery compartment
- Add a minimum of 6 in. (150mm) to 12 in. (305mm) for easy maneuvering



Doosan Industrial Vehicle America Corp.
 2905 Shawnee Industrial Way
 Suwanee, GA 30024
 T: 770-831-2200 F: 770-831-2250
www.doosanlift.com