



---

# Counterbalanced Forklift 5,000 lbs. Capacity

---

KBE25C  
Series 6091 36/48V Electric Forklift Trucks

---



# Technical Data

October 2017

	POS	ITEM DESCRIPTION	UNIT			
Specification	1.1	Manufacturer		KION BAOLI		
	1.2	Model designation		KBE25C		
	1.3	Power unit		electric		
	1.4	Operation		Rider Seated		
	1.5	Load capacity	Q	5000 lbs	2300 kg	
	1.6	Load center	c	24 in	600 mm	
	1.8	Axle center to fork face	x	17.3	440 mm	
	1.9	Wheelbase	y	52 in	1320 mm	
	Weight	2.1	Service weight		11200 lbs	5080 kg
2.2		Axle weight with load, front		13900 lbs	6300 kg	
2.2.1		Axle weight with load, rear		2340 lbs	1060 kg	
2.3		Axle weight without load, front		4540 lbs	2060 kg	
2.3.1		Axle weight without load, rear		6750 lbs	2980 kg	
Wheels and Tires	3.1	Tire: SE=(superelastic), P=(pneumatic), C=(cushion)	-	CU/CU		
	3.2	Tire size, front	-	21 x 7-15		
	3.3	Tire size, rear	-	16 x 6-10.5		
	3.5	Wheels, number front/rear (X=drive)	-	2X / 2		
	3.6	Track width, front	b <sub>10</sub>	35 in	890 mm	
	3.7	Track width, rear	b <sub>11</sub>	35.6 in	905 mm	
	Dimensions and Overall Sizes	4.1	Mast tilt, forward / backward	/ (°)	6° / 5°	
4.2		Height of mast, lowered	h <sub>1</sub>	86 in	2185 mm	
4.3		Free lift	h <sub>2</sub>	45 in	1140 mm	
4.4		Lift	h <sub>3</sub>	186 in	4724 mm	
4.5		Height of mast, extended	h <sub>4</sub>	226 in	5730 mm	
4.7		Height of overhead guard (cabin)	h <sub>6</sub>	88 in	2235 mm	
4.8		Height of drive seat	h <sub>7</sub>	49.6 in	1259 mm	
4.12		Tow coupling height	h <sub>10</sub>	8.4 in	212 mm	
4.19		Overall length	l <sub>1</sub>	127.2 in	3230 mm	
4.20		Length to fork face	l <sub>2</sub>	85 in	2160 mm	
4.21		Overall width	b <sub>1</sub> / b <sub>2</sub>	42.1 in	1070 mm	
4.22		Fork dimensions SxExL	SxExL	1.6x4.7x42 in	40x120x1070 mm	
4.24		Width of fork carriage	b <sub>3</sub>	38 in	980 mm	
4.31		Ground clearance with load, mast	m <sub>1</sub>	3 in	75 mm	
4.32		Ground clearance with load, center of wheelbase	m <sub>2</sub>	3.7 in	94 mm	
4.33		Aisle width, 48" (1220mm) load & 8" (200mm) clearance	Ast	96 in	2435 mm	
4.35		Turning radius	Wa	78.5 in	1995 mm	
Performance		5.1.1	Travelling speed, with load (36V/48V)		10/11 mph	16.1/17.8 kmh
		5.1.2	Travelling speed, without load (36V/48V)		10.6/11 mph	17/17.7 kmh
	5.2	Lifting speed, with load (36V/48V)		67/84.6 fpm	0.34/0.43 m/s	
	5.2.1	Lifting speed, without load (36V/48V)		104/118 fpm	0.53/0.6 m/s	
	5.3	Lowering speed, with load (36V/48V)		84.6/84.6 fpm	0.43/0.43 m/s	
	5.3.1	Lowering speed, without load (36V/48V)		70.9/70.9 fpm	0.36/0.36 m/s	
	5.6	Tractive force (S2 5 min), with load (36V/48V)		3881/3881 lbf	17248/17248 N	
	5.6.1	Tractive force (S2 5 min), without load (36V/48V)		2925/2925 lbf	13000/13000 N	
	5.8	Climbing ability (S2 5 min), with load		20/20 %		
	5.8.1	Climbing ability (S2 5 min), without load		20/28 %		
5.10	Service brake		electric / mechanical			
Drive	6.1	Drive motor rating (S2 60 min) (36V/48V)		21.1/21.2 hp	15.5/15.5 kW	
	6.2	Lift motor rating (S3 15%) (36V/48V)		27.2/27.2 hp	20/20 kW	
	6.3	Battery compartment L x W x H		790x990x610	31.1x39x24	
	6.4	Battery voltage / nominal capacity		36/48 V		
	6.4.1	Battery nominal capacity K5		6h 1020 36V		
	6.5	Battery weight (min-max)		2760-3090 lbs	1250-1400 kg	
Other	8.1	Travel control / transmission type		AC		
	8.2	Working pressure for attachments		2320 psi	160 bar	
	8.3	Oil flow for attachments		8.4 gpm	31.8 l/min	
	8.4	Noise level		<75 dB(A)		

## Performance

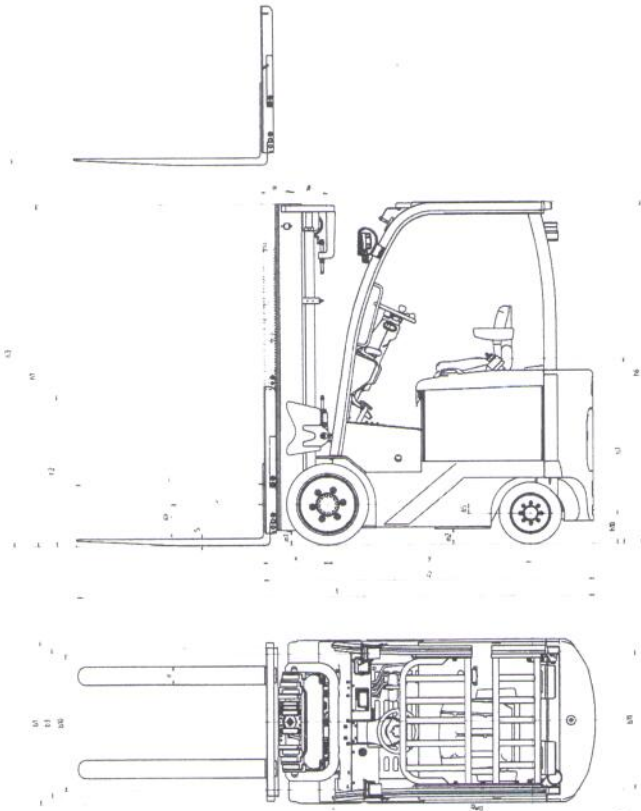
The AC drive and lift motors provide excellent power to maximize productivity. Energy-efficient design allows for continuous operation for day-to-day jobs.

## Quality & Support

Baoli forklifts come with the KION NA Standard Warranty.  
1<sup>st</sup> Year: Standard Equipment/Unlimited Hours  
2<sup>nd</sup> Year: Standard Powertrain/4,000 Hours  
Extended warranty available

## Service Network

Fully integrated into the KION North America supply chain and service system, Baoli provides shared resources from KION brands which offers a well-developed sales and service network. With Baoli spare parts in stock at the KION North America warehouse, spare parts delivery is possible within 24 hours throughout the U.S. by our authorized dealers.



## Standard Equipment

- Selectable 36/48 Volt AC
- Cushion 21 x 7-15 drive and 16 x 6-10.5 steer tires
- 6° forward, 5° backwards tilt
- 88" high overhead guard
- 30.7" battery compartment
- Rear pillar assist handle with horn
- Three individual hydraulic control levers
- Three function valve and reeving
- Tilting, adjustable steering column
- Comfort suspension seat with orange seat belt
- Sequential seat belt interlock
- LED twin spotlights forward - OHG mounted
- Back-up alarm
- Amber warning light - OHG mounted
- Standard KION Warranty



## Comfort & Convenience

The KBE25C is equipped with many operator comfort and convenience features at no extra cost. The fully adjustable comfort suspension seat and tilt steering column provide a more comfortable ride while accommodating different operators. LED work lights and a rear pillar assist handle with horn are among the work assist features on this model.



## Low Maintenance

- 500-hour maintenance interval
- Easily accessible components
- Onboard diagnostics



## Options

- Triplex 86 - 186 - 45 mast
- Simplex ("trucker's") mast - 63" / 81.5"
- 10° forward / 3° backward tilt
- 38" high load backrest
- Hang-on sideshifter
- Integrated sideshifter
- 4-function hydraulics
- Treaded or non-marking cushion tires
- Left and right external rearview mirrors
- Internal convex rearview mirror
- Blue spotlight rear - OHG mounted
- LED single spotlight rear - OHG mounted
- Road lights (brake, reverse, turn signals)
- Baoli orange color

KION North America Corporation  
2450 West 5th North Street, Summerville, SC 29483  
Phone: 843 875 8000 Truck Sales Fax: 843 875 8471  
E-mail: [trucksales.na@kiongroup.com](mailto:trucksales.na@kiongroup.com)  
[www.kion-na.com](http://www.kion-na.com)

Standard truck meets all applicable mandatory requirements of ANSI/ITSDF B56.1 standards for powered industrial trucks. NOTE: Performance data may vary due to motor and system efficiency tolerances. The performance depicted represents nominal values obtained under typical operating conditions. Metric dimensions are in millimeters unless otherwise specified. All metric dimensions are not direct equivalents due to rounding data. The descriptions and specifications included on this data sheet were in effect at the time of printing. KION North America Corporation reserves the right to make improvements and changes in specification or design without notice and without incurring obligation. Please check with your authorized Baoli dealer for information on possible updates or revisions.