



Linde Material Handling

Linde



Electric Counterbalance Truck

E20 - E35

4,000 - 7,000 lb. Capacity

Series 1252

- The twin-motor front-wheel drive together with combi steering axle facilitates maneuverability
- Optimally suited for dynamic, indoor/outdoor applications with excellent maneuverability and compact design
- Available with lead-acid and lithium-ion battery
- Wireless truck data transmission assists with fleet management programs
- Data transmission comes standard and has the ability to be embedded within digital logistic processes.

STANDARD & OPTIONAL EQUIPMENT

		E 20 - E 35	
Operator assistance	Linde Curve Assist – automatic drive speed reduction when cornering	●	
	Electrical seat belt monitoring – Visual and acoustic feedback	●	
	Linde Load Assist – increased safety at high lift heights	●	
	BlueSpot and TruckSpot – optical warning signal for pedestrians and drivers	○	
	Load weight indicator	○	
	Speed limitations	○	
	Restraint systems (different options)	○	
	Lighting: LED Stripes	○	
Digitalization	Lighting: VertiLight	○	
	Linde Connect.Desk – local fleet management & telemetry	○	
	Pre-Operation Checklist – individualized daily protocol	○	
	Impact sensing & reporting	○	
	Data transmission via Wi-Fi or cellular	○	
	Linde Guardian – pedestrian awareness and zone speed control	○	
	Operation/ Load Handling	Double pedal control – stepless acceleration and fast reversing	●
		Single pedal control – stepless acceleration	○
		Linde Load Control – individual electronic control levers fully integrated in the armrest of precise control of all hydraulic functions	●
		Innovative decoupling concept with ring bearings for lowest human vibrations	●
Ergonomic and safe truck access due to a low entry step and handle bar at front pillar		●	
Tilt adjustable steering column		●	
Overhead guard comfort for maximum head clearance		●	
Operator's seat – mechanical quick weight adjustment		●	
Workplace		Various seating options such as heating, air suspension, active seat ventilation, longitudinal suspension	○
		Operators seat – Swiveling seat	○
	Color 3.5" LED display with steering angle indicator, tilt angle indicator and remaining travel indicator	●	
	Color 7" LED multifunction display integrates additional functions e.g. cameras	○	
	Top screen armored glass	○	
	Alloy doors with openable window and door monitoring	○	
	Illuminated clipboard	○	
	Fully integrated heater	○	
	Fully integrated air conditioning with defog function	○	
	Top mounted tilting cylinders – including maintenance free bearings	●	
Mast	Best visibility through asymmetric, nested mast profiles on standard, duplex, triplex mast	●	
	Electronic damped tilt stop	●	
	Hydraulic accumulator for high driving comfort and less wear	○	
Forks	Integrated sideshift with full lift capacity	○	
	Integrated fork positioner "view" for high residual capacities and optimized visibility	○	
Axles & Tyres	Combi steering axle	●	
	Super Elastic (SE) tyres	●	
	Closed Shoulder Tyres CS 20	○	
	Pneumatic tyres	○	
	Antistatic, non marking tyres	○	
	Anti-spray mudflaps front and rear	○	
Drive System	Two motor front wheel drive	●	
	Synchronous reluctance motor for lift and drive function	●	
	Power setting efficiency, economy, performance	●	
	Linde combi-steering axle – excellent maneuverability in smallest areas	○	
	Automatic parking brake	●	

● Standard equipment ○ Optional equipment

ANSI: Standard truck meets all applicable mandatory requirements of ANSI/ITSDF B56.4 standards for powered industrial trucks.
 NOTE: Performance data may vary due to make and system efficiency tolerances. The performance depicted represents nominal values obtained under typical operating conditions. Metric dimensions are in millimeters unless otherwise specified. All metric dimensions are not direct equivalents due to rounding data. The descriptions and specifications included on this data sheet were in effect at the time of printing. KION North America Corporation reserves the right to make improvements and changes in specification or design without incurring obligation. Please check with your authorized Linde dealer for information on possible updates or revisions.



E20 - E35 TECHNICAL DATA

Characteristics	1.1	Manufacturer	LINDE		LINDE		LINDE		
	1.2	Manufacturer's type designation	E20		E20/600H		E25		
	1.2a	Series	1252		1252		1252		
	1.3	Power unit	Battery		Battery		Battery		
	1.4	Operation	Seat		Seat		Seat		
	1.5	Load capacity/Load	Q (lb) (t)	4,000	2.0	4,400	2.0	5,000	2.5
	1.6	Load centre distance	c (in) (mm)	24	500	24	600	24	500
	1.8	Axle centre to fork face	x (in) (mm)	16.6	420	16.6	420	16.6	420
	1.9	Wheelbase	y (in) (mm)	65.0	1652	66.4	1686	65.0	1652
Weights	2.1	Service weight	(lb) (kg)	9,501 ¹⁾	4310 ¹⁾	10,796 ¹⁾	4897 ¹⁾	9,918 ¹⁾	4499 ¹⁾
	2.2	Axle load with load, front/rear	(lb) (kg)	11,805 / 2,105	5355 / 955	12,449 / 2,755	5647 / 1250	13,516 / 1,913	6131 / 868
	2.3	Axle load without load, front/rear	(lb) (kg)	4,940 / 4,561 ¹⁾	2241 / 2069 ¹⁾	5,372 / 5,423 ¹⁾	2437 / 2460 ¹⁾	4,934 / 4,984 ¹⁾	2238 / 2261 ¹⁾
Wheels/Tyres	3.1	Tyres rubber, SE, pneumatic, polyurethane	SE		SE		SE		
	3.2	Tyre size, front	225/75-10 (23x9-10)		225/75-10 (23x9-10)		225/75-10 (23x9-10)		
	3.3	Tyre size, rear	180/60-10		180/60-10		200/50-10		
	3.5	Wheels, number front/rear (x = driven)	2x / 2		2x / 2		2x / 2		
	3.6	Track width, front	b10 (in) (mm)	38.3	972	38.3	972	38.3	972
	3.7	Track width, rear	b11 (in) (mm)	35.4	900	35.4	900	35.4	900
Dimensions	4.1	Mast/fork carriage tilt, forward/backward	a/b (°)	5.0 / 8.0		5.0 / 8.0		5.0 / 8.0	
	4.2	Height of mast, lowered	h1 (in) (mm)	83.9	2181	89.7	2331	83.9	2181
	4.3	Free lift	h2 (in) (mm)	56.9	150	62.8	150	56.9	150
	4.4	Lift	h3 (in) (mm)	181.5	3030	199.2	3330	181.5	3030
	4.5	Height of mast, extended	h4 (in) (mm)	208.5	3694	226.1	3994	208.5	3694
	4.7	Height of overhead guard (cabin)	h6 (in) (mm)	85.2	2165 ³⁾	91.5	2325 ³⁾	85.2	2165 ³⁾
	4.8	Seat height relating to SIP/stand height	h7 (in) (mm)	43.4	1102	49.6	1260	43.4	1102
	4.12	Towing coupling height	h10 (in) (mm)	23.9	608	26.4	670	24.0	609
	4.19	Overall length	l1 (in) (mm)	130.7	3320	132.1	3354	130.7	3320
	4.20	Length to fork face	l2 (in) (mm)	91.3	2320	92.7	2354	91.3	2320
	4.21	Overall width	b1/b2 (in) (mm)	46.4 / 45.7		46.4 / 45.7		46.4 / 45.7	
	4.22	Fork dimensions	s / e / l (in) (mm)	1.8 x 4.0 x 40.0	45 x 100 x 1000	1.8 x 4.0 x 40.0	45 x 100 x 1000	1.8 x 4.0 x 40.0	45 x 100 x 1000
	4.23	Fork carriage type		2A		2A		2A	
	4.24	Width of fork carriage	b3 (in) (mm)	45.3	1150	45.3	1150	45.3	1150
	4.31	Ground clearance, below mast	m1 (in) (mm)	4.8	122	4.8	122	4.7	120
	4.32	Ground clearance, centre of wheelbase	m2 (in) (mm)	4.7	120	4.7	120	4.7	120
	4.34.1	Aisle width for pallets 1000 x 1200 crossways	Ast (in) (mm)	143.4 ²⁾	3642 ²⁾	144.7 ²⁾	3676 ²⁾	143.4 ²⁾	3642 ²⁾
4.34.2	Aisle width with pallet 800 x 1200 along forks	Ast (in) (mm)	148.4 ²⁾	3769 ²⁾	149.7 ²⁾	3803 ²⁾	148.4 ²⁾	3769 ²⁾	
4.35	Turning radius	Wa (in) (mm)	74.8	1900	76.1	1934	74.8	1900	
4.36	Minimum pivoting point distance	b13 (in) (mm)	0.0	0	0.0	0	0.0	0	
Performance	5.1	Travel speed, with/without load	(mph) (km/h)	12.4 / 12.4	20 / 20	12.4 / 12.4	20 / 20	12.4 / 12.4	20 / 20
	5.2	Lifting speed, with/without load	(fpm) (m/s)	110 / 125	0.56 / 0.64	110 / 125	0.56 / 0.64	102 / 125	0.52 / 0.64
	5.3	Lowering speed, with/without load	(fpm) (m/s)	112 / 112	0.57 / 0.57	112 / 112	0.57 / 0.57	112 / 112	0.57 / 0.57
	5.5	Tractive force, with/without load	(lbf) (N)	1,506 / 1,506	6700 / 6700	1,506 / 1,506	6700 / 6700	1,506 / 1,506	6700 / 6700
	5.6	Maximum tractive force, with/without load	(lbf) (N)	4,046 / 4,046	18000 / 18000	4,046 / 4,046	18000 / 18000	4,046 / 4,046	18000 / 18000
	5.7	Climbing ability, with/without load	%	20.3 / 31.5		18.4 / 27.3		18.1 / 30.1	
	5.8	Maximum climbing ability, with/without load	%	26.6 / 41.8		24.2 / 36.0		23.7 / 39.9	
	5.9	Acceleration time, with/without load	s	5.0 / 4.4		5.1 / 4.5		5.1 / 4.4	
	5.10	Service brake		hydr./mech.		hydr./mech.		hydr./mech.	
	Drive	6.1	Drive motor rating S2 60 min	(kW)	2x 11		2x 11		2x 11
6.2		Lift motor rating at S3 15%	(kW)	17		17		17	
6.6		Energy consumption according to DIN EN 16796	kWh/h	5.8		6		6.3	
6.6.1		CO2 equivalent according to EN 16796	(lb/h) (kg/h)	6.8	3.1	7.1	3.2	7.5	3.4
Others	8.1	Type of drive unit	Digital/stepless		Digital/stepless		Digital/stepless		
	10.1	Operating pressure for attachments	(psi) (bar)	2,900	200	2,900	200	3,300	230
	10.2	Oil flow for attachments	(gpm) (l/min)	13	50	13	50	13	50
	10.7	Sound pressure level LpAZ (at the driver's seat)	dB(A)	<65	50	<65	<65	<65	<65

E20 - E35 TECHNICAL DATA

Characteristics	1.1	Manufacturer	LINDE		LINDE		LINDE		
	1.2	Manufacturer's type designation	E25L		E25/600H		E25/600HL		
	1.2a	Series	1252		1252		1252		
	1.3	Power unit	Battery		Battery		Battery		
	1.4	Operation	Seat		Seat		Seat		
	1.5	Load capacity/Load	Q (lb) (t)	5,000	2.5	5,500	2.5	5,500	2.5
	1.6	Load centre distance	c (in) (mm)	24	500	24	600	24	600
	1.8	Axle centre to fork face	x (in) (mm)	16.6	420	17.9	455	17.9	455
	1.9	Wheelbase	y (in) (mm)	70.8	1797	66.4	1686	72.1	1831
Weights	2.1	Service weight	(lb) (kg)	10,002 ¹⁾	4537 ¹⁾	11,464 ¹⁾	5200 ¹⁾	11,876 ¹⁾	5387 ¹⁾
	2.2	Axle load with load, front/rear	(lb) (kg)	13,578 / 1,935	6159 / 878	14,616 / 2,359	6630 / 1070	14,711 / 2,676	6673 / 1214
	2.3	Axle load without load, front/rear	(lb) (kg)	5,244 / 4,757 ¹⁾	2379 / 2158 ¹⁾	5,654 / 5,809 ¹⁾	2565 / 2635 ¹⁾	6,023 / 5,853 ¹⁾	2732 / 2655 ¹⁾
Wheels/Tyres	3.1	Tyres rubber, SE, pneumatic, polyurethane	SE		SE		SE		
	3.2	Tyre size, front	225/75-10 (23x9-10)	225/75-10 (23x9-10)	225/75-10 (23x9-10)	225/75-10 (23x9-10)	225/75-10 (23x9-10)	225/75-10 (23x9-10)	
	3.3	Tyre size, rear	200/50-10	200/50-10	200/50-10	200/50-10	200/50-10	200/50-10	
	3.5	Wheels, number front/rear (x = driven)	2x / 2		2x / 2		2x / 2		
	3.6	Track width, front	b10 (in) (mm)	38.3	972	38.3	972	38.3	972
	3.7	Track width, rear	b11 (in) (mm)	35.4	900	35.4	900	35.4	900
	Dimensions	4.1	Mast/fork carriage tilt, forward/backward	a/b (°)	5.0 / 8.0		5.0 / 8.0		5.0 / 8.0
4.2		Height of mast, lowered	h1 (in) (mm)	83.8	2181	89.7	2322	89.7	2322
4.3		Free lift	h2 (in) (mm)	56.9	150	58.8	150	58.8	150
4.4		Lift	h3 (in) (mm)	181.5	3030	196.1	3295	196.1	3295
4.5		Height of mast, extended	h4 (in) (mm)	208.4	3694	226.9	4054	226.9	4054
4.7		Height of overhead guard (cabin)	h6 (in) (mm)	85.2	2165 ³⁾	91.5	2325 ³⁾	91.5	2325 ³⁾
4.8		Seat height relating to SIP/stand height	h7 (in) (mm)	43.4	1102	49.6	1260	49.6	1260
4.12		Towing coupling height	h10 (in) (mm)	23.9	608	26.3	668	26.3	668
4.19		Overall length	l1 (in) (mm)	136.3	3461	133.5	3390	139.2	3535
4.20		Length to fork face	l2 (in) (mm)	96.9	2461	94.1	2390	99.8	2535
4.21		Overall width	b1/b2 (in) (mm)	46.4 / 45.7	1179 / -	46.4 / 45.7	1179 / -	46.5 / 45.7	1180 / -
4.22		Fork dimensions	s / e / l (in) (mm)	1.8 x 4.0 x 40.0	45 x 100 x 1000	1.8 x 4.0 x 40.0	45 x 100 x 1000	1.8 x 4.0 x 40.0	45 x 100 x 1000
4.23		Fork carriage type		2A		2A		2A	
4.24		Width of fork carriage	b3 (in) (mm)	45.3	1150	45.3	1150	45.3	1150
4.31		Ground clearance, below mast	m1 (in) (mm)	4.7	120	4.7	119	4.7	119
4.32		Ground clearance, centre of wheelbase	m2 (in) (mm)	4.7	120	4.7	120	4.7	120
4.34.1		Aisle width for pallets 1000 x 1200 crossways	Ast (in) (mm)	148.9 ²⁾	3783 ²⁾	146.0 ²⁾	3708 ²⁾	151.7 ²⁾	3853 ²⁾
4.34.2		Aisle width with pallet 800 x 1200 along forks	Ast (in) (mm)	153.9 ²⁾	3910 ²⁾	151.1 ²⁾	3837 ²⁾	156.8 ²⁾	3982 ²⁾
4.35		Turning radius	Wa (in) (mm)	80.4	2041	76.1	1934	81.9	2079
4.36	Minimum pivoting point distance	b13 (in) (mm)	0.0	0	0.0	0	0.0	0	
Performance	5.1	Travel speed, with/without load	(mph) (km/h)	12.4 / 12.4	20 / 20	12.4 / 12.4	20 / 20	12.4 / 12.4	20 / 20
	5.2	Lifting speed, with/without load	(fpm) (m/s)	102 / 125	0.56 / 0.64	84 / 106	0.43 / 0.54	84 / 106	0.43 / 0.54
	5.3	Lowering speed, with/without load	(fpm) (m/s)	112 / 112	0.57 / 0.57	114 / 112	0.58 / 0.57	114 / 112	0.58 / 0.57
	5.5	Tractive force, with/without load	(lbf) (N)	1,506 / 1,506	6700 / 6700	1,506 / 1,506	6700 / 6700	1,506 / 1,506	6700 / 6700
	5.6	Maximum tractive force, with/without load	(lbf) (N)	4,046 / 4,046	18000 / 18000	4,046 / 4,046	18000 / 18000	4,046 / 4,046	18000 / 18000
	5.7	Climbing ability, with/without load	%	18.0 / 29.8	18.0 / 29.8	17.6 / 25.6	17.6 / 25.6	17.6 / 24.6	17.6 / 24.6
	5.8	Maximum climbing ability, with/without load	%	23.6 / 39.4	23.6 / 39.4	21.3 / 33.7	21.3 / 33.7	20.8 / 32.3	20.8 / 32.3
	5.9	Acceleration time, with/without load	s	5.1 / 4.4	5.1 / 4.4	5.3 / 4.6	5.3 / 4.6	5.4 / 4.6	5.4 / 4.6
	5.10	Service brake		hydr./mech.		hydr./mech.		hydr./mech.	
	Drive	6.1	Drive motor rating S2 60 min	(kW)	2x 11		2x 11		2x 11
6.2		Lift motor rating at S3 15%	(kW)	17		17		17	
6.6		Energy consumption according to DIN EN 16796	kWh/h	6.3		6.6		6.6	
6.6.1		CO2 equivalent according to EN 16796	(lb/h) (kg/h)	7.5	3.4	7.9	3.6	7.9	3.6
Others	8.1	Type of drive unit	Digital/stepless		Digital/stepless		Digital/stepless		
	10.1	Operating pressure for attachments	(psi) (bar)	2,900	200	3,300	230	2,900	200
	10.2	Oil flow for attachments	(gpm) (l/min)	13	50	13	50	13	50
	10.7	Sound pressure level LpAz (at the driver's seat)	dB(A)	<65		<65		<65	

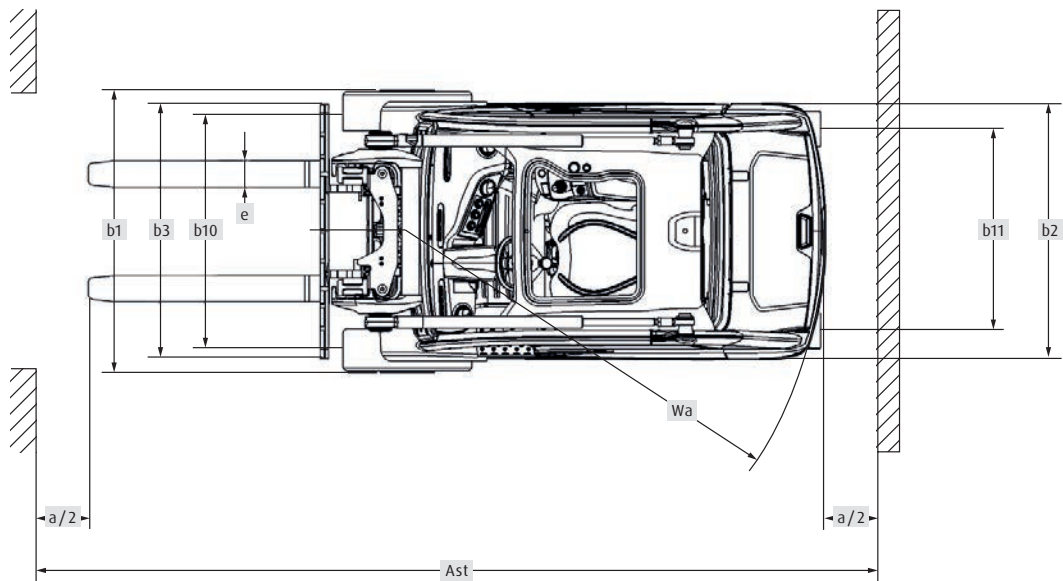
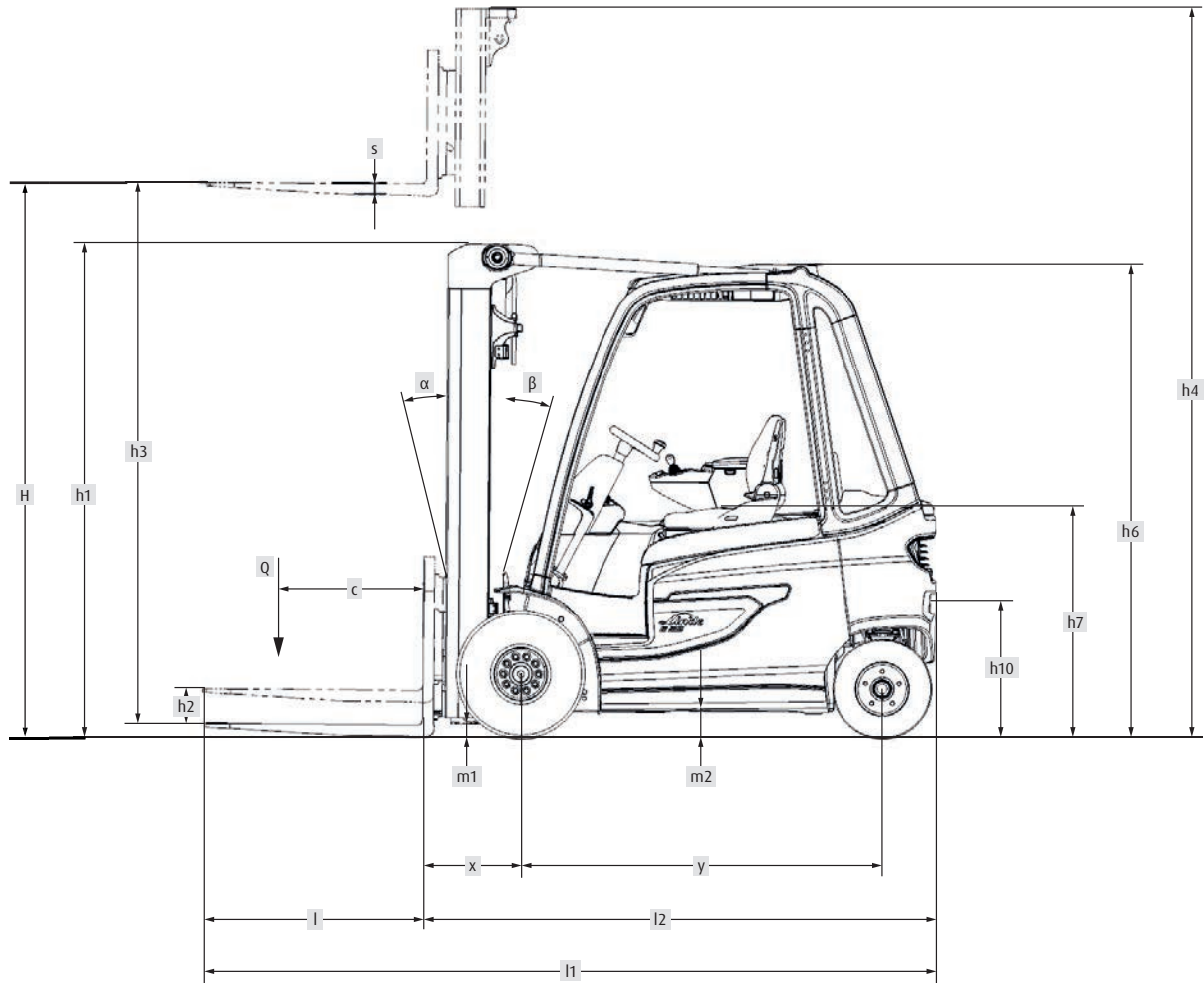
E20 - E35 TECHNICAL DATA

Characteristics	1.1	Manufacturer			LINDE		LINDE		LINDE
	1.2	Manufacturer's type designation			E30		E30L		E30/600H
	1.2a	Series			1252		1252		1252
	1.3	Power unit			Battery		Battery		Battery
	1.4	Operation			Seat		Seat		Seat
	1.5	Load capacity/Load	Q (lb) (t)	6000	3.0	6,000	3.0	6,500	3.0
	1.6	Load centre distance	c (in) (mm)	24	500	24	500	24	600
	1.8	Axle centre to fork face	x (in) (mm)	17.7	448	17.7	448	17.9	453
	1.9	Wheelbase	y (in) (mm)	67.8	1722	71.5	1817	66.4	1686
Weights	2.1	Service weight	(lb) (kg)	11,162 ¹⁾	5063 ¹⁾	11,009 ¹⁾	4994 ¹⁾	12,531 ¹⁾	5684 ¹⁾
	2.2	Axle load with load, front/rear	(lb) (kg)	15,703 / 2,072	7123 / 940	15,677 / 1,946	7111 / 883	16,629 / 2,515	7543 / 1141
	2.3	Axle load without load, front/rear	(lb) (kg)	5,447 / 5,714 ¹⁾	2471 / 2592 ¹⁾	5,610 / 5,399 ¹⁾	2545 / 2449 ¹⁾	5,881 / 6,649 ¹⁾	2668 / 3016 ¹⁾
Wheels/Tyres	3.1	Tyres rubber, SE, pneumatic, polyurethane			SE		SE		SE
	3.2	Tyre size, front			225/75-10 (23x9-10)		225/75-10 (23x9-10)		250/60-12 (23x10-12)
	3.3	Tyre size, rear			200/50-10		200/50-10		200/50-10
	3.5	Wheels, number front/rear (x = driven)			2x / 2		2x / 2		2x / 2
	3.6	Track width, front	b10 (in) (mm)	38.3	972	38.3	972	39.2	996
	3.7	Track width, rear	b11 (in) (mm)	34.8	884	34.8	884	34.8	884
	Dimensions	4.1	Mast/fork carriage tilt, forward/backward	a/b (°)		5.0 / 8.0		5.0 / 8.0	
4.2		Height of mast, lowered	h1 (in) (mm)	83.8	2172	83.08	2172	89.6	2327
4.3		Free lift	h2 (in) (mm)	52.9	150	52.9	150	58.8	150
4.4		Lift	h3 (in) (mm)	178.4	2995	178.4	2995	196.1	3295
4.5		Height of mast, extended	h4 (in) (mm)	209.2	3754	209.2	3754	226.8	4059
4.7		Height of overhead guard (cabin)	h6 (in) (mm)	85.2	2165 ³⁾	85.2	2165 ³⁾	91.5	2325 ³⁾
4.8		Seat height relating to SIP/stand height	h7 (in) (mm)	43.4	1102	43.4	1102	49.6	1260
4.12		Towing coupling height	h10 (in) (mm)	23.9	606	23.9	606	26.2	665
4.19		Overall length	l1 (in) (mm)	135.5	3441	139.2	3536	133.4	3388
4.20		Length to fork face	l2 (in) (mm)	96.1	2441	99.8	2536	94.0	2388
4.21		Overall width	b1/b2 (in) (mm)	46.4 / 45.7	1179 / -	46.4 / 45.7	1179 / -	49.0 / 45.7	1244 / -
4.22		Fork dimensions	s / e / l (in) (mm)	1.8 x 4.0 x 40.0	45 x 100 x 1000	1.8 x 4.0 x 40.0	45 x 100 x 1000	2.0 x 5.0 x 40.0	50 x 120 x 1000
4.23		Fork carriage type			3A		3A		3A
4.24		Width of fork carriage	b3 (in) (mm)	45.3	1150	45.3	1150	45.3	1150
4.31		Ground clearance, below mast	m1 (in) (mm)	4.7	120	4.6	117	4.7	118
4.32		Ground clearance, centre of wheelbase	m2 (in) (mm)	4.7	120	4.7	120	4.7	120
4.34.1		Aisle width for pallets 1000 x 1200 crossways	Ast (in) (mm)	148.0 ²⁾	3760 ²⁾	151.8 ²⁾	3855 ²⁾	145.9 ²⁾	3706 ²⁾
4.34.2		Aisle width with pallet 800 x 1200 along forks	Ast (in) (mm)	153.1 ²⁾	3888 ²⁾	156.8 ²⁾	3983 ²⁾	151.0 ²⁾	3835 ²⁾
4.35		Turning radius	Wa (in) (mm)	78.4	1992	82.2	2087	76.1	1934
4.36	Minimum pivoting point distance	b13 (in) (mm)	0.0	0	0.0	0	0.0	0	
Performance	5.1	Travel speed, with/without load	(mph) (km/h)	12.4 / 12.4	20 / 20	12.4 / 12.4	20 / 20	12.4 / 12.4	20 / 20
	5.2	Lifting speed, with/without load	(fpm) (m/s)	78 / 106	0.4 / 0.54	78 / 106	0.4 / 0.54	78 / 106	0.4 / 0.54
	5.3	Lowering speed, with/without load	(fpm) (m/s)	114 / 112	0.58 / 0.57	114 / 112	0.58 / 0.57	114.173 / 112.205	0.58 / 0.57
	5.5	Tractive force, with/without load	(lbf) (N)	1,506 / 1,506	6700 / 6700	1,506 / 1,506	6700 / 6700	1,506 / 1,506	6700 / 6700
	5.6	Maximum tractive force, with/without load	(lbf) (N)	4,046 / 4,046	18000 / 18000	4,046 / 4,046	18000 / 18000	4,046 / 4,046	18000 / 18000
	5.7	Climbing ability, with/without load	%		17.6 / 26.3		17.6 / 26.7		17.6 / 23.4
	5.8	Maximum climbing ability, with/without load	%		20.2 / 34.6		20.4 / 35.2		18.8 / 30.7
	5.9	Acceleration time, with/without load	s		5.4 / 4.6		5.4 / 4.5		5.5 / 4.7
	5.10	Service brake			hydr./mech.		hydr./mech.		hydr./mech.
	Drive	6.1	Drive motor rating S2 60 min	(kW)		2x 11		2x 11	
6.2		Lift motor rating at S3 15%	(kW)		17		17		17
6.6		Energy consumption according to DIN EN 16796	kWh/h		7		7		7
6.6.1		CO2 equivalent according to EN 16796	(lb/h) (kg/h)	8.4	3.8	8.4	3.8	8.4	3.8
Others	8.1	Type of drive unit			Digital/stepless		Digital/stepless		Digital/stepless
	10.1	Operating pressure for attachments	(psi) (bar)	3,300	225	3,300	225	3,000	225
	10.2	Oil flow for attachments	(gpm)(l / min)	13	50	13	50	13	50
	10.7	Sound pressure level LpAZ (at the driver's seat)	dB(A)		<65		<65		<65

E20 - E35 TECHNICAL DATA

Characteristics	1.1		LINDE		LINDE		LINDE		LINDE	
	1.2		E30/600HL		E30/600HL Beverage		E35L		E35HL	
	1.2a		1252		1252		1252		1252	
	1.3		Battery		Battery		Battery		Battery	
	1.4		Seat		Seat		Seat		Seat	
	1.5	q (lb) (t)	6,500	3.0	6,500	3.0	7,000	3.5	7,000	3.5
	1.6	c (in) (mm)	24	600	23.6	600	24	500	24	500
	1.8	x (in) (mm)	17.9	453.5	17.9	453	17.9	453	17.9	453
	1.9	y (in) (mm)	72.1	1831	72.1	1831	73.5	1867	72.1	1831
Weights	2.1	(lb) (kg)	12,458 ¹⁾	5651 ¹⁾	12861	5834 ¹⁾	12,160 ¹⁾	5516 ¹⁾	12,782 ¹⁾	5798 ¹⁾
	2.2	(lb) (kg)	16,660 / 2,411	7557/1094	17,090 / 2,385	7752/1082	17,603 / 2,273	7985/1031	18,020 / 2,478	8174/1124
	2.3	(lb) (kg)	6,241 / 6,217 ¹⁾	2831/2820 ¹⁾	6,671/ 6,671	3026/2808 ¹⁾	5,948 / 6,212 ¹⁾	2698/2818 ¹⁾	6,285 / 6,497 ¹⁾	2851/2947 ¹⁾
Wheels/Tyres	3.1		SE		SE		SE		SE	
	3.2		250/60-12 (23x10-12)		315 / 45-12		315/45-12		315/45-12	
	3.3		200/50-10		200 / 50-10		200/50-10		200/50-10	
	3.5		2x / 2		2x / 2		2x / 2		2x / 2	
	3.6	b10 (in) (mm)	39.2	996	41.3	1048	41.3	1048	41.3	1048
	3.7	b11 (in) (mm)	34.8	884	34.8	884	34.8	884	34.8	884
Dimensions	4.1	a/b (°)	5.0 / 8.0		5.0/5.0		5.0 / 8.0		5.0 / 8.0	
	4.2	h1 (in) (mm)	89.6	2326	107.3	2726	83.9	2172	89.6	2322
	4.3	h2 (in) (mm)	58.8	150	5.9	150	52.9	150	58.8	150
	4.4	h3 (in) (mm)	196.1	3295	161.2	4095	178.4	2995	196.1	3295
	4.5	h4 (in) (mm)	226.8	4058	191.2	4858	209.3	3754	226.8	4054
	4.7	h6 (in) (mm)	91.5	2325 ³⁾	7.5	2675 ³⁾	85.2	2165 ³⁾	91.5	2325 ³⁾
	4.8	h7 (in) (mm)	49.6	1260	63.3	1610	43.4	1102	49.6	1260
	4.12	h10 (in) (mm)	26.2	665	26.2	665	23.8	604	26.2	666
	4.19	l1 (in) (mm)	139.1	3533	139.1	3533	141.4	3591	139.1	3533
	4.20	l2 (in) (mm)	99.7	2533	99.7	2533	102.0	2591	99.7	2533
	4.21	b1/b2 (in) (mm)	49.0 / 45.7	1244 / -	49.0 / 45.7	1244 / -	53.0 / 45.7	1346 / -	53.0 / 45.7	1346
	4.22	s / e / l (in) (mm)	2.0 x 5.0 x 40.0	50 x 120 x 1000	2.0 x 5.0 x 40.0	50 x 120 x 1000	2.0 x 5.0 x 40.0	50 x 120 x 1000	2.0 x 5.0 x 40.0	50 x 120 x 1000
	4.23		3A		3A		3A		3A	
	4.24	b3 (in) (mm)	45.3	1150	45.3	1150	45.3	1150	45.3	1150
	4.31	m1 (in) (mm)	4.7	118	4.7	118	4.7	120	4.7	120
	4.32	m2 (in) (mm)	4.7	120	4.7	120	4.7	120	4.7	120
	4.34.1	Ast (in) (mm)	151.6 ²⁾	3851 ²⁾	151.6 ²⁾	3851 ²⁾	153.9 ²⁾	3909 ²⁾	151.6 ²⁾	3851 ²⁾
4.34.2	Ast (in) (mm)	156.7 ²⁾	3980 ²⁾	156.7 ²⁾	3980 ²⁾	159.0 ²⁾	4038 ²⁾	156.7 ²⁾	3980 ²⁾	
4.35	Wa (in) (mm)	81.9	2079	81.9	2079	84.1	2137	81.9	2079	
4.36	b13 (in) (mm)	0.0	0	0.0	0	0.0	0	0.0	0	
Performance	5.1	(mph) (km/h)	12.4 / 12.4	20 / 20	12.4 / 12.4	20 / 20	12.4 / 12.4	20 / 20	12.4 / 12.4	20 / 20
	5.2	(fpm) (m/s)	78 / 106	0.4 / 0.54	78 / 106	0.4 / 0.54	76 / 106	0.39 / 0.54	76. / 106	0.39 / 0.54
	5.3	(fpm) (m/s)	114 / 112	0.58 / 0.57	114 / 112	0.58 / 0.57	114 / 112	0.58 / 0.57	114 / 112	0.58 / 0.57
	5.5	(lbf) (N)	1,506 / 1,506	6700 / 6700	1,506.2 / 1,506.2	6700 / 6700	1,506 / 1,506	6700 / 6700	1,506 / 1,506	6700 / 6700
	5.6	(lbf) (N)	4,046 / 4,046	18000 / 18000	4,046.6 / 4,046.6	18000 / 18000	4,046 / 4,046	18000 / 18000	4,046 / 4,046	18000 / 18000
	5.7	%	17.6 / 23.6		17.6 / 22.6		17.6 / 23.6		17.6 / 22.4	
	5.8	%	18.9 / 31.0		18.3 / 29.7		17.6 / 31.0		17.6 / 29.4	
	5.9	s	5.5 / 4.7		5.5 / 4.8		5.6 / 4.7		5.6 / 4.7	
	5.10		hydr./mech.		hydr. / mech.		hydr./mech.		hydr./mech.	
	Drive	6.1	(kW)	2x 11		2x 11		2x 11		2x 11
6.2		(kW)	17		17		17		17	
6.6		kWh/h	6.9		7		7.3		7.4	
6.6.1		(lb/h)	8.2	3.6	8.4	3.8	8.6	3.9	8.8	4
Others	8.1		Digital/stepless		Digital / stepless		Digital/stepless		Digital/stepless	
	10.1	(psi) (bar)	3,300	225	3,263	225	3,500	245	3,300	245
	10.2	(gpm)(l / min)	13	50	13.209	50	13	50	13	50
	10.7	dB(A)	<65		< 65		<65		<65	

E20 - E35 TECHNICAL DATA



*Refer to Technical Data Chart

MAST TABLES

STANDARD MAST (in)

Series	1532							
Lift	H: 119.3	H: 123.2	H: 127.2	H: 135.0	H: 146.9	H: 158.7	H: 178.3	
Height measurements	h1: 86.2 h2: 5.9 h4: 145.5	h1: 88.2 h2: 5.9 h4: 149.4	h1: 90.2 h2: 5.9 h4: 153.3	h1: 94.1 h2: 5.9 h4: 161.2	h1: 100.0 h2: 5.9 h4: 173.0	h1: 105.9 h2: 5.9 h4: 184.8	h1: 115.7 h2: 5.9 h4: 204.5	h1: 115.7 h2: 5.9 h4: 204.5
Model								
E20	○	○	○	○	○	○	○	
E25/E25 L	○	○	○	○	○	○	○	
E20/600 H	—	—	—	○	○	○	○	

Series	1533							
Lift	H: 127.9	H: 129.7	H: 133.7	H: 145.5	H: 157.3	H: 165.2	H: 177.0	
Height measurements	h1: 87.9 h2: 5.9 h4: 151.8	h1: 91.5 h2: 5.9 h4: 159.7	h1: 93.5 h2: 5.9 h4: 163.6	h1: 99.4 h2: 5.9 h4: 175.4	h1: 105.3 h2: 5.9 h4: 187.2	h1: 109.3 h2: 5.9 h4: 195.1	h1: 115.2 h2: 5.9 h4: 206.9	h1: 115.2 h2: 5.9 h4: 206.9
Model								
E30/E30 L	○	○	○	○	○	○	○	
E25/600 H	—	○	○	○	○	○	○	
E30/600 H	—	○	○	○	○	○	○	
E35 L	○	○	○	○	○	○	○	
E25/600 HL	—	○	○	○	○	○	○	
E30/600 HL	—	○	○	○	○	○	○	
E35 HL	—	○	○	○	○	○	○	

DUPLEX MAST (in)

Series	1532			1533				
Lift	H: 122.0	H: 129.9	H: 133.9	H: 124.6	H: 128.5	H: 132.5	H: 136.4	H: 148.2
Height measurements	h1: 84.3 h2: 56.9 h4: 149.1	h1: 88.2 h2: 60.8 h4: 157.0	h1: 90.2 h2: 62.8 h4: 160.9	h1: 85.8 h2: 54.9 h4: 155.6	h1: 87.8 h2: 56.9 h4: 159.5	h1: 89.8 h2: 58.9 h4: 163.4	h1: 91.7 h2: 60.8 h4: 167.4	h1: 97.6 h2: 66.7 h4: 179.2
Model								
E20	○	○	○	—	—	—	—	—
E25	○	○	○	—	—	—	—	—
E20/600 H	—	—	○	—	—	—	—	—
E25 L	○	○	○	—	—	—	—	—
E30/E30 L	—	—	—	○	○	○	○	○
E25/600 H	—	—	—	—	—	○	○	○
E30/600 H	—	—	—	—	—	○	○	○
E35 L	—	—	—	○	○	○	○	○
E25/600 HL	—	—	—	—	—	○	○	○
E30/600 HL	—	—	—	—	—	○	○	○
E35 HL	—	—	—	—	—	○	○	○

TRIPLEX MAST (in)

Series	1532					
Lift	H: 181.5	H: 187.4	H: 193.3	H: 199.2	H: 218.9	H: 256.3
Height measurements	h1: 84.1 h2: 56.9 h4: 208.5	h1: 86.0 h2: 58.9 h4: 214.4	h1: 88.0 h2: 60.8 h4: 220.3	h1: 90.0 h2: 62.8 h4: 226.2	h1: 97.8 h2: 70.7 h4: 245.9	h1: 111.6 h2: 84.4 h4: 283.3
Model						
E20	○	○	○	○	○	○
E25	○	○	○	○	○	○
E20/600 H	—	—	—	○	○	○
E25 L	○	○	○	○	○	○

Series	1533							
Lift	H: 184.3	H: 190.2	H: 196.1	H: 202.0	H: 209.8	H: 215.7	H: 233.5	H: 259.1
Height measurements	h1: 85.8 h2: 54.9 h4: 215.5	h1: 87.8 h2: 56.9 h4: 221.4	h1: 89.9 h2: 58.9 h4: 227.3	h1: 91.7 h2: 60.8 h4: 233.2	h1: 95.7 h2: 64.8 h4: 241.1	h1: 97.6 h2: 66.7 h4: 247.0	h1: 103.5 h2: 72.6 h4: 264.7	h1: 113.4 h2: 82.5 h4: 290.3
Model								
E30/E30 L	○	○	○	○	○	○	○	○
E25/600 H	—	—	○	○	○	○	○	○
E30/600 H	—	—	○	○	○	○	○	○
E35 L	○	○	○	○	○	○	○	○
E25/600 HL	—	—	○	○	○	○	○	○
E30/600 HL	—	—	○	○	○	○	○	○
E35 HL	—	—	○	○	○	○	○	○

○ Optional equipment

— Not available

h1: Height of mast, lowered

h2: Free lift

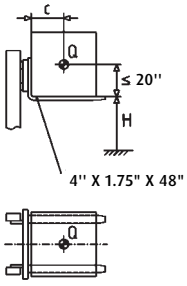
h3: Lift

h4: Height of mast, extended

LOAD CAPACITY RATINGS

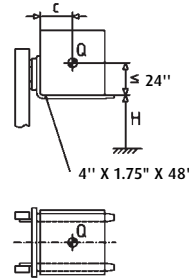
TRIPLEX MAST (in)

E20



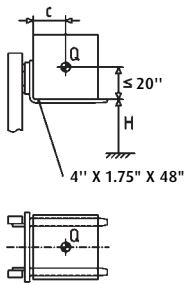
H (in)	Q (lb)			
315	1540	1380	1250	1140
299	2000	1800	1650	1520
291	2240	2020	1850	1690
283	2490	2240	2040	1870
276	2730	2440	2220	2040
268	2970	2660	2420	2220
260	3300	2880	2620	2400
252	3430	3100	2820	2600
244	3680	3320	3010	2770
236	3920	3520	3210	2950
228	4160	3740	3410	3120
≤ 220	4400	4000	3610	3300
c (in)	16-20	24	28	32

E20 / 600 H



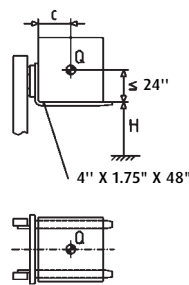
H (in)	Q (lb)			
299	2000	1820	1670	1540
291	2240	2040	1870	1740
283	2490	2270	2070	1910
276	2730	2490	2270	2090
268	2970	2680	2460	2290
260	3190	2900	2660	2460
252	3430	3120	2860	2660
244	3680	3350	3080	2840
236	3920	3570	3280	3010
228	4160	3790	3480	3210
≤ 220	4400	4000	3680	3390
c (in)	<24	28	32	36

E25 / E25 L



H (in)	Q (lb)			
299	2020	1800	1650	1520
283	2510	2240	2040	1870
268	2990	2680	2440	2240
260	3230	2900	2640	2420
252	3480	3120	2840	2620
244	3720	3350	3040	2790
236	3960	3570	3230	2970
228	4340	4920	3570	3260
220	4730	4250	3870	3570
213	5110	4600	4180	3850
≤ 205	5510	5000	4510	4140
c (in)	16-20	24	28	32

E25 / 600 H, E25 / 600 HL



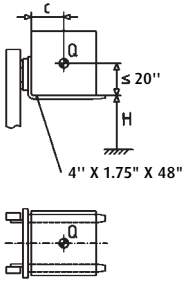
H (in)	Q (lb)			
299	2510	2290	2110	1960
283	3060	2790	2570	2380
276	3320	3040	2790	2600
268	3590	3280	3010	2790
260	3870	3520	3260	3010
252	4140	3790	3480	3210
244	4400	4030	3700	3430
236	4690	4270	3940	3630
228	4950	4510	4160	3850
220	5220	4780	4380	4070
≤ 213	5510	5000	4620	4270
c (in)	<24	28	32	36

H= Lifting height C= Load center Q= Load capacity
Load capacity for triplex mast and fork carriage

LOAD CAPACITY RATINGS

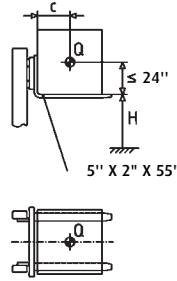
TRIPLEX MAST (in)

E30 / E30 L



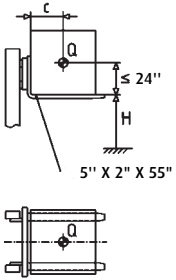
H (in)	Q (lb)			
299	2600	2330	2130	1960
283	3210	2900	2640	2420
268	3830	3460	3150	2900
260	4140	3740	3410	3120
252	4450	4010	3650	3370
244	4760	4290	3920	3610
236	5060	4580	4160	3830
228	5440	4910	4490	4140
220	5840	5260	4800	4650
213	6210	5620	5130	4710
≤ 205	6610	6000	5440	5000
c (in)	16-20	24	28	32

E30 / 600 H, E30 / 600 HL



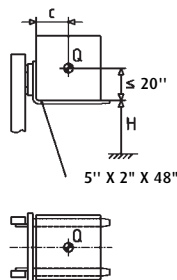
H (in)	Q (lb)			
299	3080	2790	2570	2380
283	3740	3410	3120	2900
276	4070	3700	3410	3170
268	4400	4010	3700	3410
260	4730	4310	3960	3680
252	5060	4620	4250	3940
244	5390	4910	4510	4180
236	5730	5220	4800	4450
228	6080	5550	5090	4710
220	6430	5860	5390	5000
≤ 217	6610	6030	5550	5130
c (in)	<24	28	32	36

E30 / 600 HL Beverage



H (in)	Q (lb)			
315	3080	2790	2570	2380
307	3390	3100	2840	2640
299	3720	3390	3120	2880
291	4030	3680	3390	3120
283	4360	3980	3650	3390
276	4670	4270	3920	3630
268	5000	4560	4200	3870
260	5310	4840	4470	4140
252	5640	5150	4730	4380
244	5950	5440	5000	4620
236	6280	5730	5260	4890
≤ 228	6610	6000	5550	5130
c (in)	<24	28	32	36

E35 L / E35 HL



H (in)	Q (lb)			
299	3960	3570	3260	2990
283	4620	4180	3810	3500
276	4950	4470	4090	3760
268	5280	4780	4360	4010
260	5620	5060	4620	4250
252	5950	5370	4910	4510
244	6280	5660	5170	4760
236	6610	5970	5460	5020
228	7050	6360	5810	5350
220	7490	6760	6190	5680
≤ 217	7710	7000	6360	5860
c (in)	16-20	24	28	32

H= Lifting height C= Load center Q= Load capacity
Load capacity for triplex mast and fork carriage

CHARACTERISTICS



Driver workplace

Ergonomics

- Spacious driver's cab and ergonomic seat ensure fatigue-free working
- Optimum view of both the load and surroundings
- Layout of control elements reduces the physical strain on the driver
- Separation of the workstation, mast, and drive and steering axles reduces physical strain on the operator when driving over rough terrain



Linde combi steering axle

Handling

- The twin-motors front-wheel drive together with combi steering axle provides exceptional maneuverability
- Overhead tilt cylinder and warp-resistant mast design ensure safe load handling
- Synchronous reluctance motor for lift and drive functions increase power and energy efficiency
- A choice between lead-acid and lithium-ion battery



All-round visibility

Safety

- Chassis, A-pillar, mast, and roof construction provide the driver with optimum visibility of the load and surroundings
- The truck's low center of gravity reduces the risk of tipping
- Linde Curve Assist reduces speed in relation to the steering angle when cornering
- Linde Load Assist reduces the risk of tipping accidents when moving loads at height
- Automatic parking brake and ramp-hold function



Easy service access

Service

- Long service intervals e.g. 6000 h/3 years hydraulic oil / filter change
- Easy access to main components
- Driver display shows all important truck information to the driver
- Remote fault diagnosis and firmware updates can be conducted without a service technician; resulting in lower operating costs
- Modular assemblies allow for quick replacement, shortening downtime during repairs

For more information on Linde Material Handling equipment, please contact:

KION North America Corporation
2450 West 5th North Street, Summerville, SC 29483
Phone: (843) 875.8000 Truck Sales Fax: (843) 875.8471
Email: trucksales.na@kiongroup.com
www.kion-na.com

Linde Material Handling

Linde

Member of KION Group